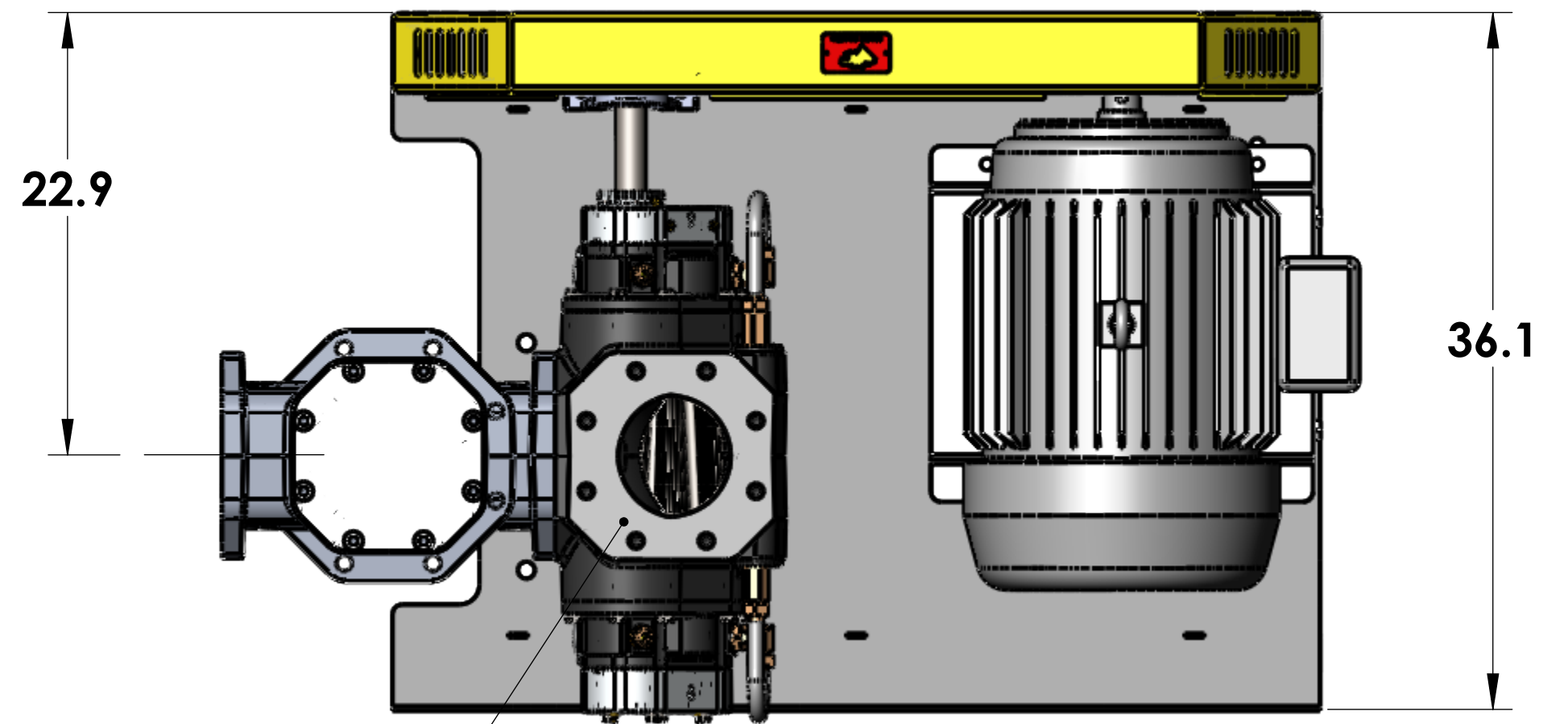
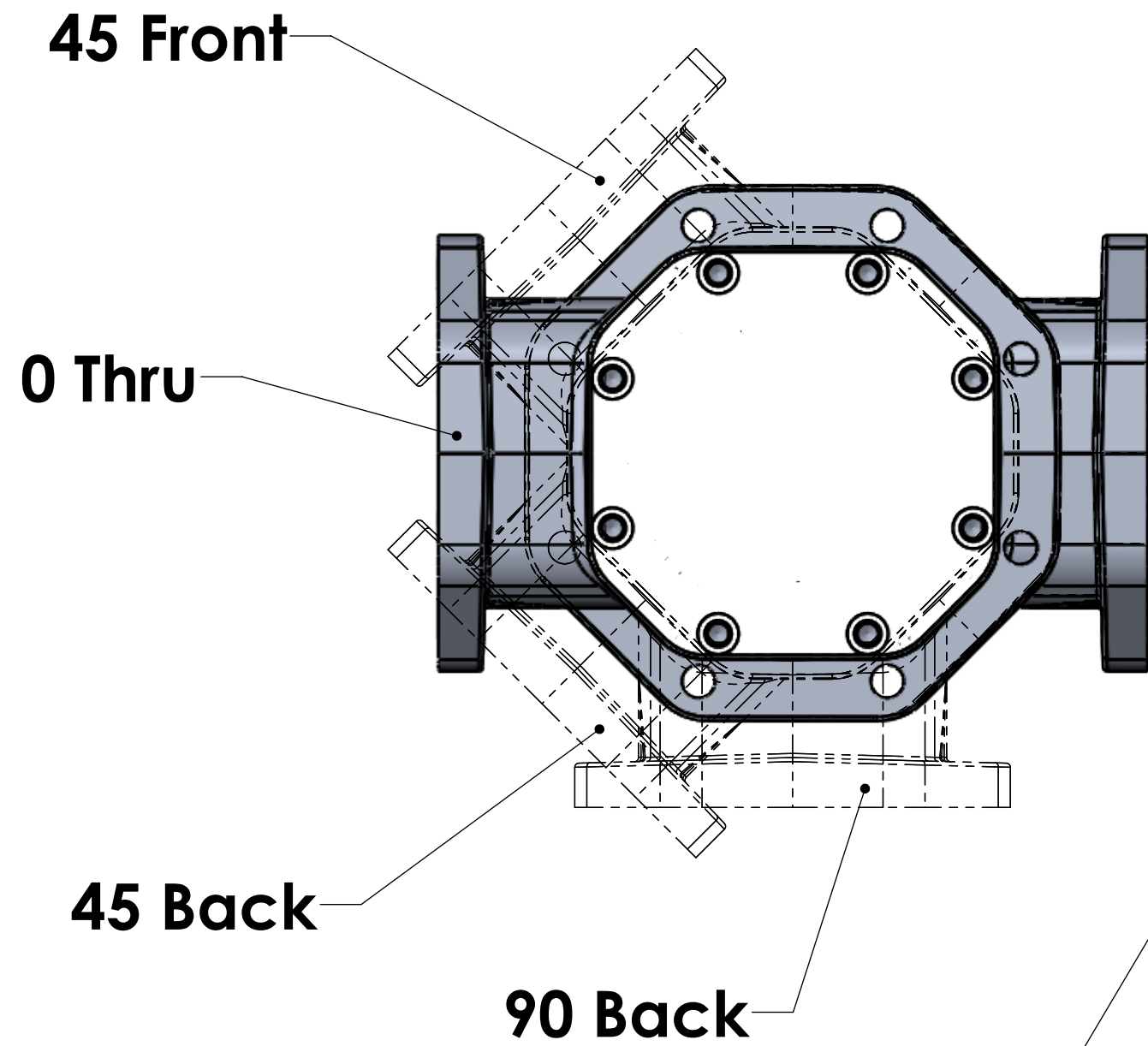


**Inlet Port Orientation
(optional positions)**



6in #150 ANSI Flange

