

BEARCAT
 **PUMPS**

600C
Crude Oil Pump



Compatible

Direct replacement on most transport trucks.

Productive

Large displacement to move more product.

Durable

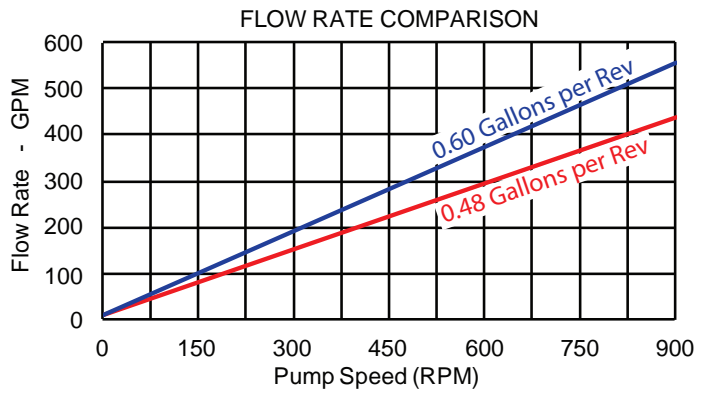
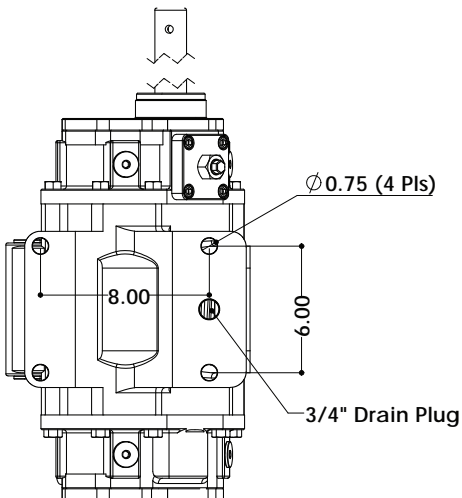
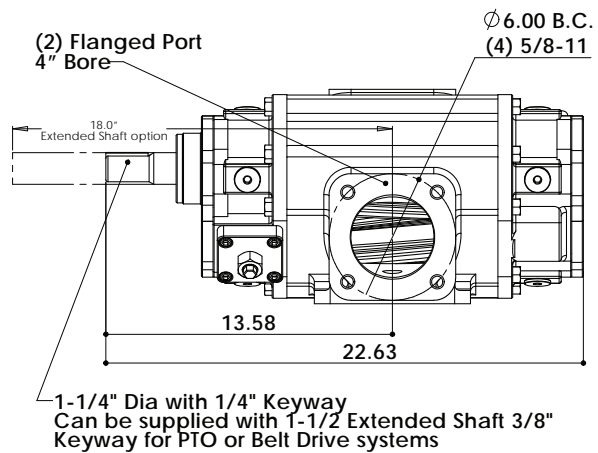
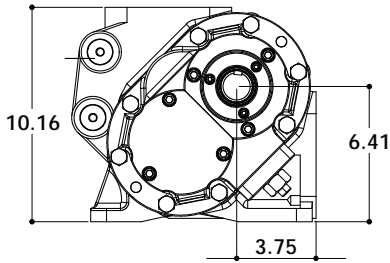
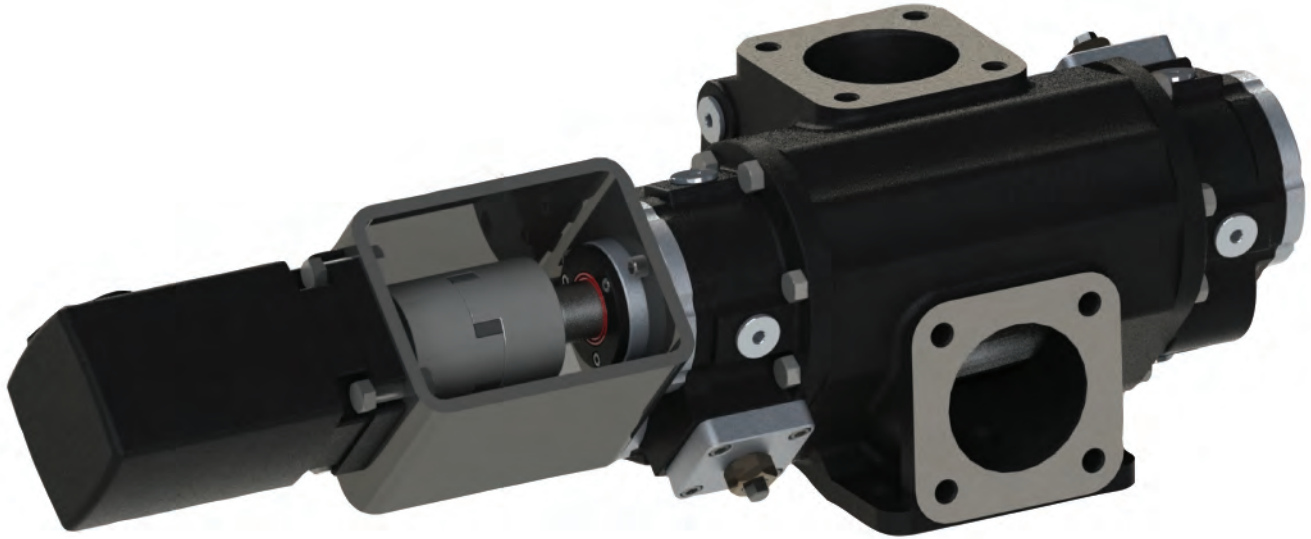
The heat-treated gears, nitride-treated shafts, aluminum bronze bushings and ductile iron construction make the BearCat 600C a super long lasting pump.

1954 E. Deer Valley Rd. #103, Phoenix, AZ 85024 USA • 623-587-1350 • bearcatpumps.com

BEARCAT PUMPS



600C Crude Oil Pump



- Pumps in stock
- Rebuildable

- Optional no-maintenance, no-leak lip seal
- Made in the USA