

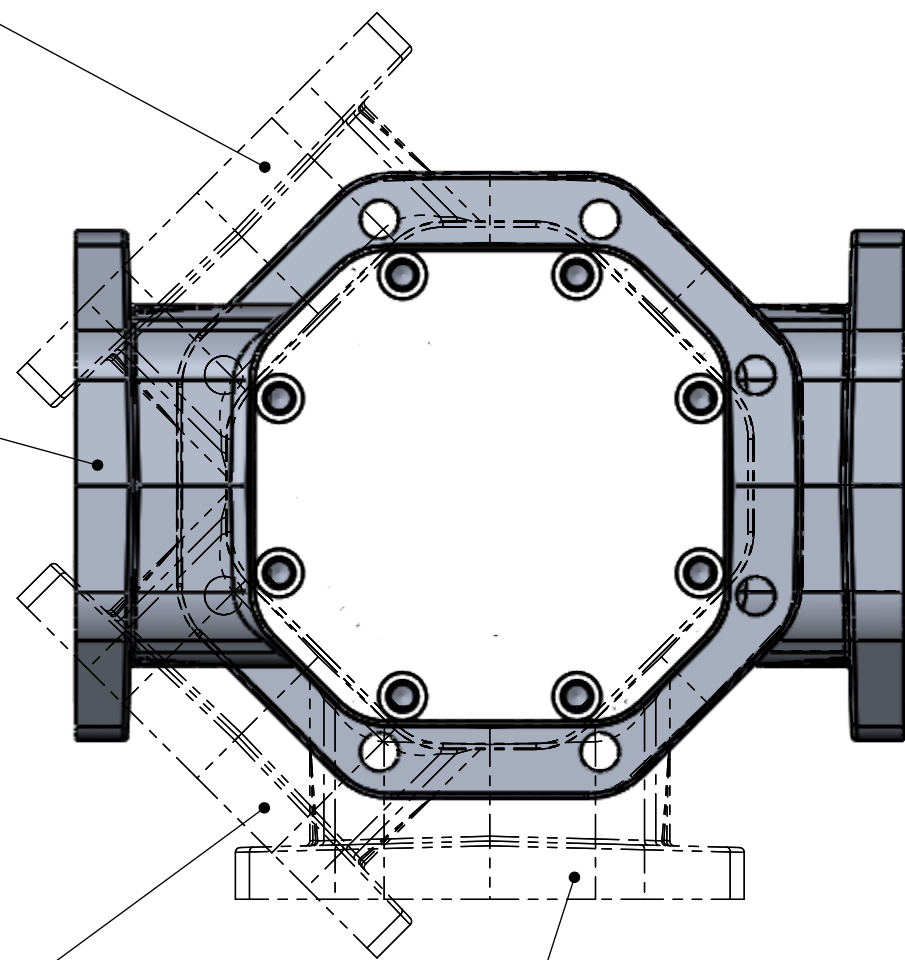
**Inlet Port Orientation
(optional positions)**

45 Front

0 Thru

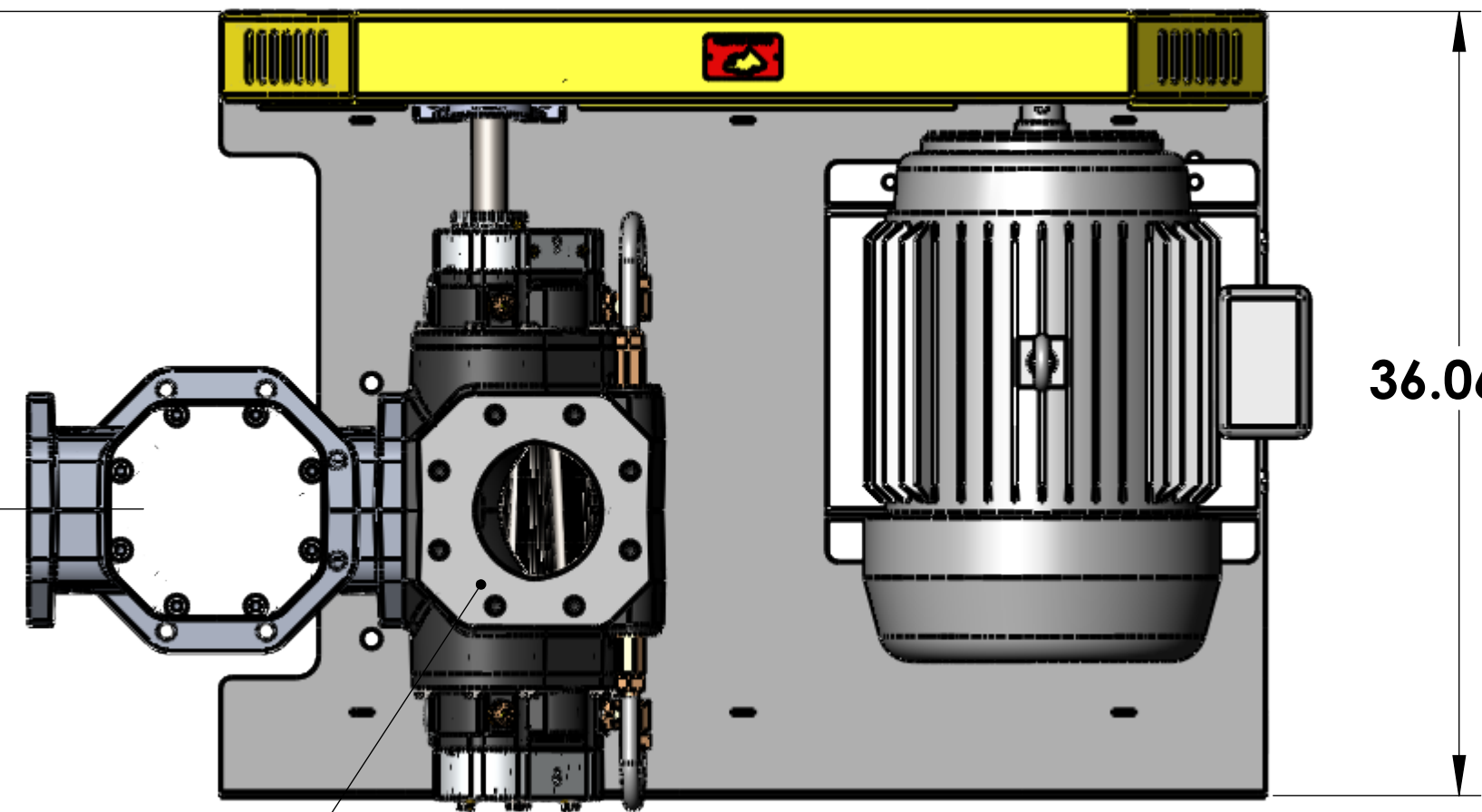
45 Back

90 Back

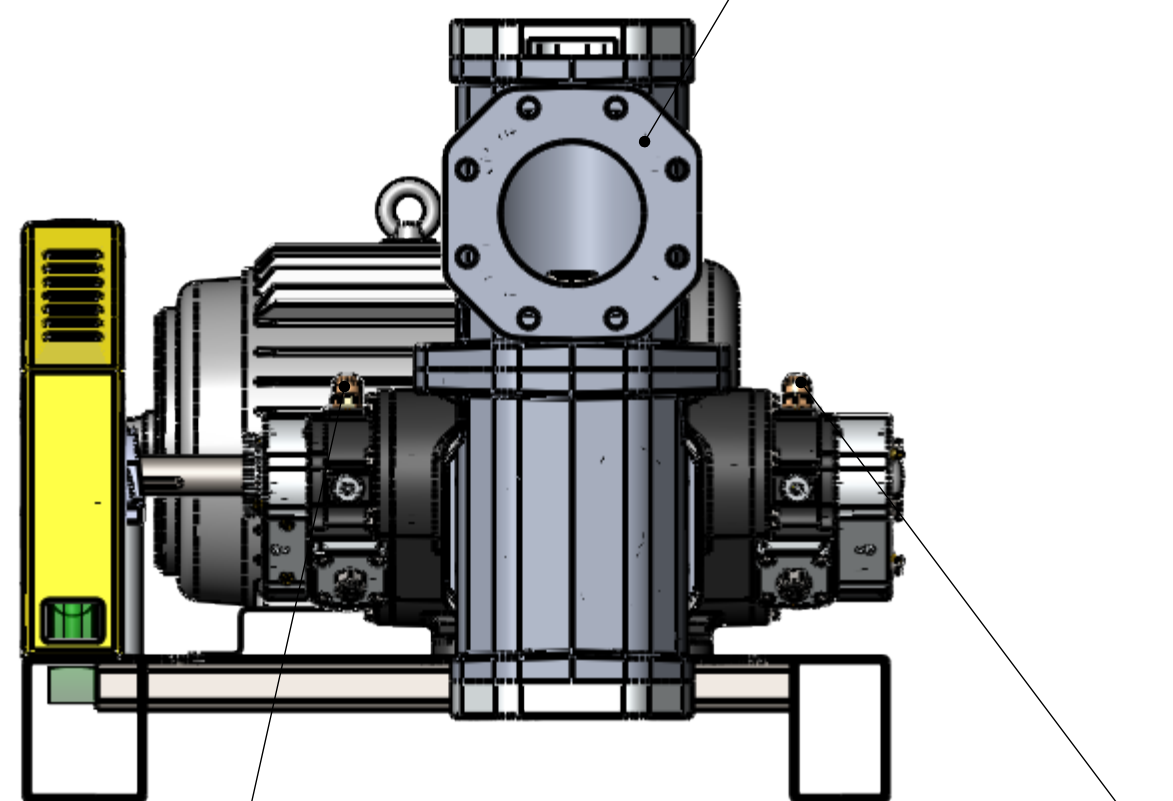


22.5

36.0625



6in #150 ANSI Flange



HTO connection #12 MJ

24.25

32.25

24.25

17.5

11.50

0

24.25

48.0

56.625

